

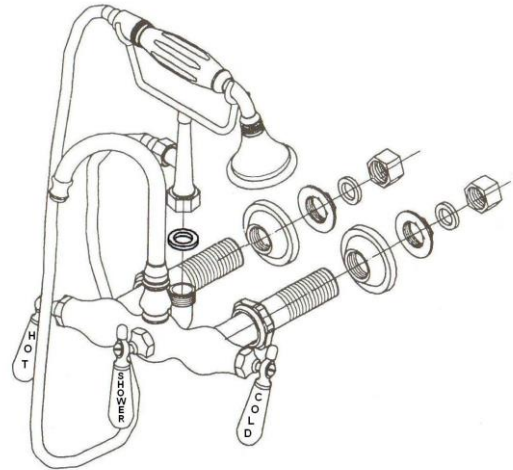
# Cheviot

PRODUCTS INC

## Model # 3107

### INSTRUCTIONS

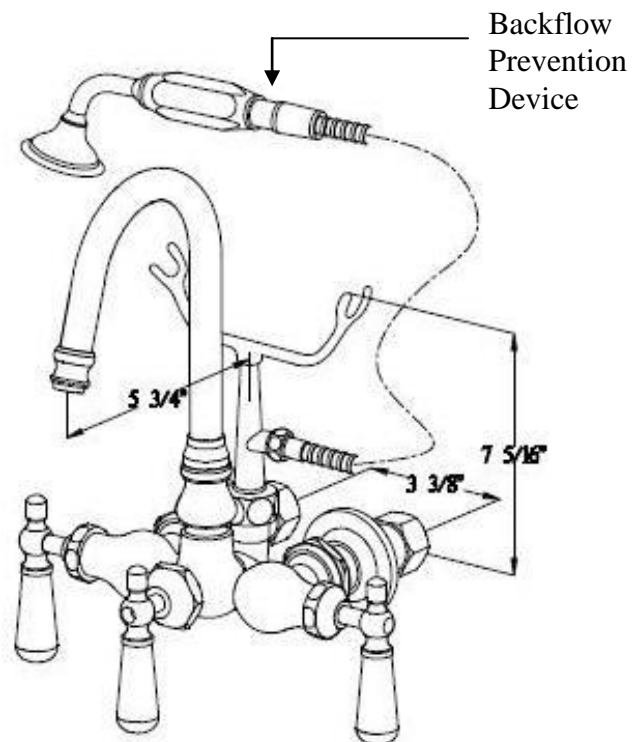
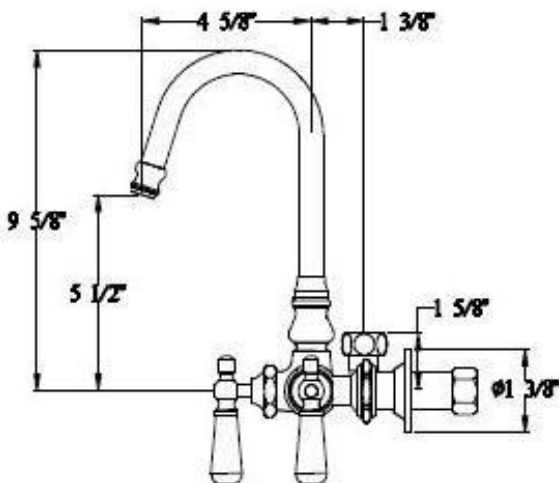
1. Thread the gooseneck spout onto the faucet body.
2. Assemble the cradle and connect the hose and hand shower ensuring that there is a washer in each connection.
3. Insert the faucet through the holes in the wall of the tub. Secure the faucet with the lock nuts.
4. Connect the faucet shanks to the water supply.
5. Attach the hot and cold water handles onto the tub filler.



### CARE AND MAINTENANCE

Minimum Maintenance is required to maintain product finish. With proper maintenance your CHEVIOT Faucet will continually look like new. Special care should be taken when cleaning your faucet and the following suggestions should help extend your faucet life.

- a) Cleaning should be done regularly using a soft cotton cloth and warm water, then towel dry.
- b) Do not use cleaners that contain abrasives or harsh chemicals; Care should be taken in selecting cleaning supplies. Many cleaners contain detergents, ammonia, or other corrosive solvents that could damage your faucet finish.
- c) occasionally clean with a non-abrasive wax polish.



Tel : (800)-444-5969  
www.cheviotproducts.com

M12-096