



#2107 Shown

## Traditional Cast Iron Bath

**#2092 | 54" L x 30" W x 24" H**  
230lbs, 46 Gallons

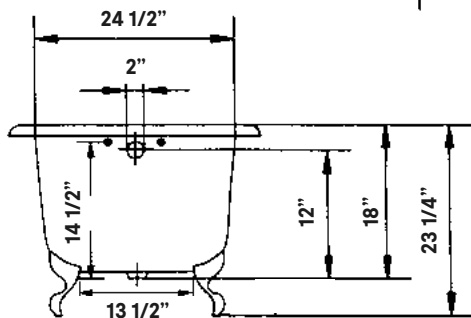
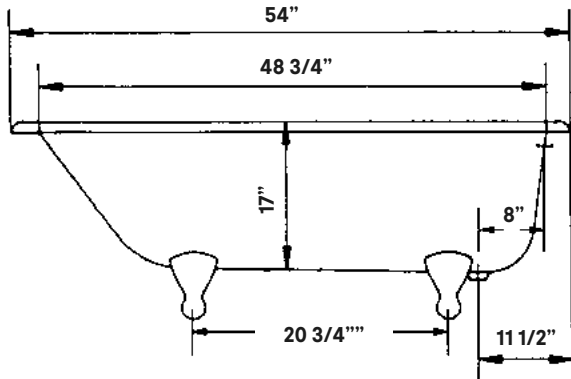
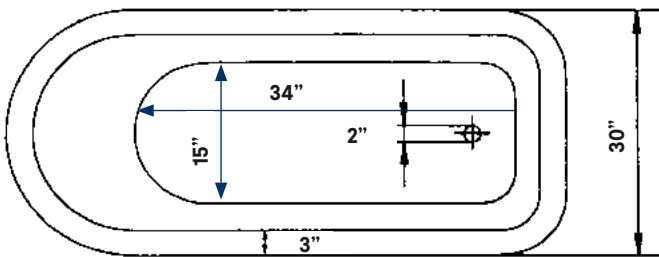
Cheviot Products' cast iron bathtubs are hand-made in Europe with the finest materials. Fired with a thick coating of AA grade titanium-based enamel for unparalleled hardness and non-porosity, the extremely durable surface is easy to clean and resistant to stains, bacteria and other microbes. Cast iron also keeps your bath warm for the longest possible time.

**Rim Configuration**  
3 3/8" c.c. Holes in  
Wall of Tub

**Colours**  
White Interior & Exterior  
White Interior & Custom  
Colour Exterior

**Feet**  
Available in Brass, Chrome,  
Brushed Nickel, Polished Nickel,  
Antique Bronze and White

**Note**  
Rough-in dimensions may vary +/-  
1/2" and are subject to change.  
No responsibility is assumed by  
Cheviot Products Inc.  
One Year Limited  
Warranty against  
manufacturer's defects.



### Related Products



**#3107 Tub Filler with  
Hand Shower**



**#3100 Tub Filler**



**#35576 Offset  
Water Supply Lines**



**#2222 Waste &  
Overflow**



#2107 Shown

## Traditional Cast Iron Bath

**#2100 | 61"L x 30"W x 24"H**  
275lbs, 53 Gallons

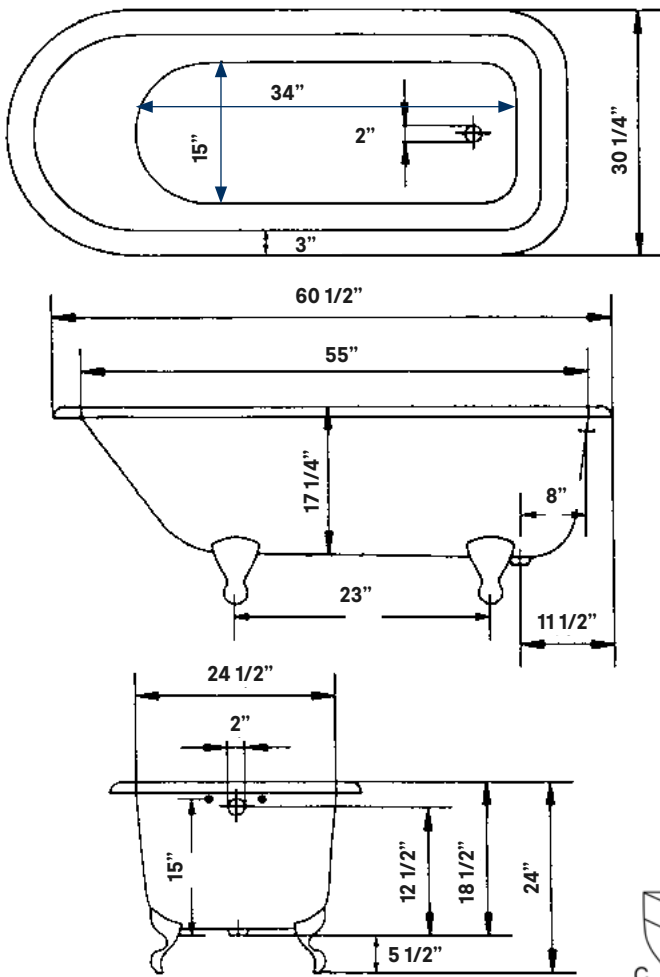
Cheviot Products' cast iron bathtubs are hand-made in Europe with the finest materials. Fired with a thick coating of AA grade titanium-based enamel for unparalleled hardness and non-porosity, the extremely durable surface is easy to clean and resistant to stains, bacteria and other microbes. Cast iron also keeps your bath warm for the longest possible time.

**Rim Configuration**  
3 3/8" c.c. Holes in  
Wall of Tub

**Colours**  
White Interior & Exterior  
White Interior & Custom  
Colour Exterior

**Feet**  
Available in Brass, Chrome,  
Brushed Nickel, Polished Nickel,  
Antique Bronze and White

**Note**  
Rough-in dimensions may vary +/-  
1/2" and are subject to change.  
No responsibility is assumed by  
Cheviot Products Inc.  
One Year Limited  
Warranty against  
manufacturer's defects.



### Related Products



**#3107 Tub Filler with  
Hand Shower**



**#3100 Tub Filler**



**#35576 Offset  
Water Supply Lines**



**#2222 Waste &  
Overflow**



#2107 Shown

## Traditional Cast Iron Bath

**#2102 | 68" L x 30" W x 24" H**  
310 lbs, 59.5 Gallons

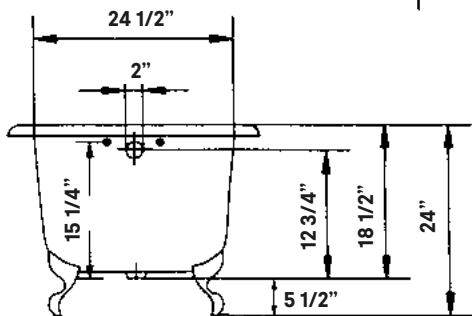
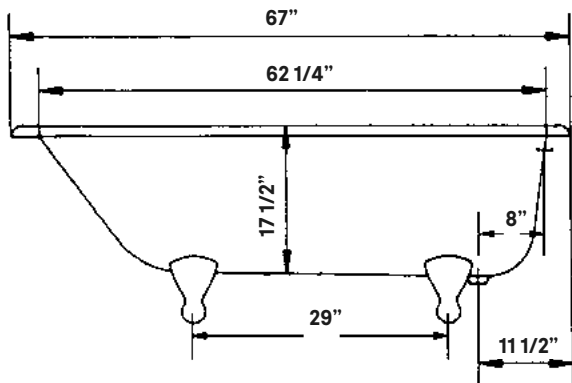
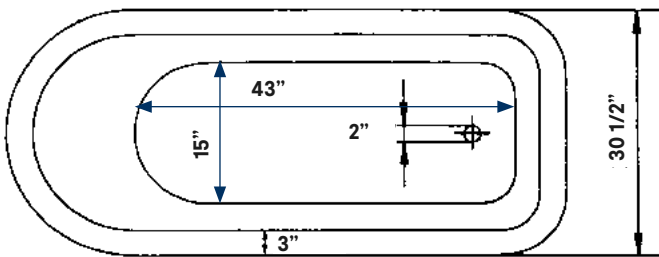
Cheviot Products' cast iron bathtubs are hand-made in Europe with the finest materials. Fired with a thick coating of AA grade titanium-based enamel for unparalleled hardness and non-porosity, the extremely durable surface is easy to clean and resistant to stains, bacteria and other microbes. Cast iron also keeps your bath warm for the longest possible time.

**Rim Configuration**  
3 3/8" c.c. Holes in  
Wall of Tub

**Colours**  
White Interior & Exterior  
White Interior & Custom  
Colour Exterior

**Feet**  
Available in Brass, Chrome,  
Brushed Nickel, Polished Nickel,  
Antique Bronze and White

**Note**  
Rough-in dimensions may vary +/-  
1/2" and are subject to change.  
No responsibility is assumed by  
Cheviot Products Inc.  
One Year Limited  
Warranty against  
manufacturer's defects.



### Related Products



**#3107 Tub Filler with  
Hand Shower**



**#3100 Tub Filler**



**#35576 Offset  
Water Supply Lines**



**#2222 Waste &  
Overflow**



#2107 Shown

## Traditional Cast Iron Bath

**#2094 | 54" L x 30" W x 24" H**  
230lbs, 46 Gallons

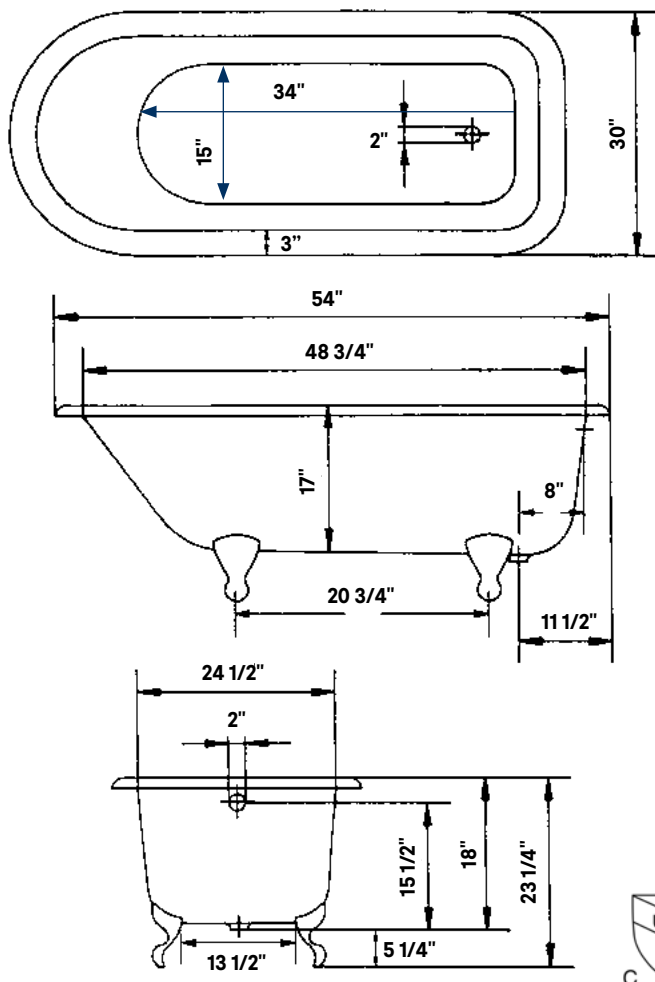
Cheviot Products' cast iron bathtubs are hand-made in Europe with the finest materials. Fired with a thick coating of AA grade titanium-based enamel for unparalleled hardness and non-porosity, the extremely durable surface is easy to clean and resistant to stains, bacteria and other microbes. Cast iron also keeps your bath warm for the longest possible time.

**Rim Configuration**  
Continuous Rolled Rim

**Colours**  
White Interior & Exterior  
White Interior & Custom Colour Exterior

**Feet**  
Available in Brass, Chrome, Brushed Nickel, Polished Nickel, Antique Bronze and White

**Note**  
Rough-in dimensions may vary +/- 1/2" and are subject to change. No responsibility is assumed by Cheviot Products Inc. One Year Limited Warranty against manufacturer's defects.



### Related Products



**#5115LEV Tub Filler**  
with Hand Shower



**#5100 Tub Filler**  
with Hand Shower



**#3970 Heavy Duty**  
Water Supply Lines



**#2222 Waste & Overflow**



#2107 Shown

## Traditional Cast Iron Bath

#2104 | 61" L x 30" W x 24" H  
275lbs, 53 Gallons

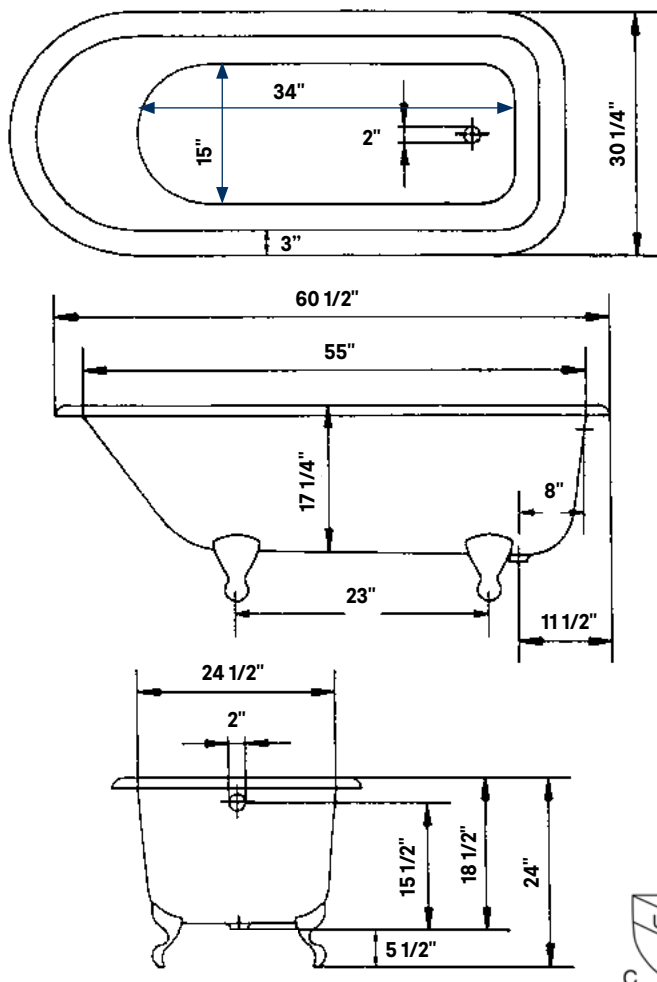
Cheviot Products' cast iron bathtubs are hand-made in Europe with the finest materials. Fired with a thick coating of AA grade titanium-based enamel for unparalleled hardness and non-porosity, the extremely durable surface is easy to clean and resistant to stains, bacteria and other microbes. Cast iron also keeps your bath warm for the longest possible time.

**Rim Configuration**  
Continuous Rolled Rim

**Colours**  
White Interior & Exterior  
White Interior & Custom Colour Exterior

**Feet**  
Available in Brass, Chrome, Brushed Nickel, Polished Nickel, Antique Bronze and White

**Note**  
Rough-in dimensions may vary +/- 1/2" and are subject to change. No responsibility is assumed by Cheviot Products Inc. One Year Limited Warranty against manufacturer's defects.



### Related Products



#5115LEV Tub Filler  
with Hand Shower



#5100 Tub Filler  
with Hand Shower



#3970 Heavy Duty  
Water Supply Lines



#2222 Waste &  
Overflow



#2107 Shown

## Traditional Cast Iron Bath

#2106 | 68" L x 30" W x 24" H  
310lbs, 59.5 Gallons

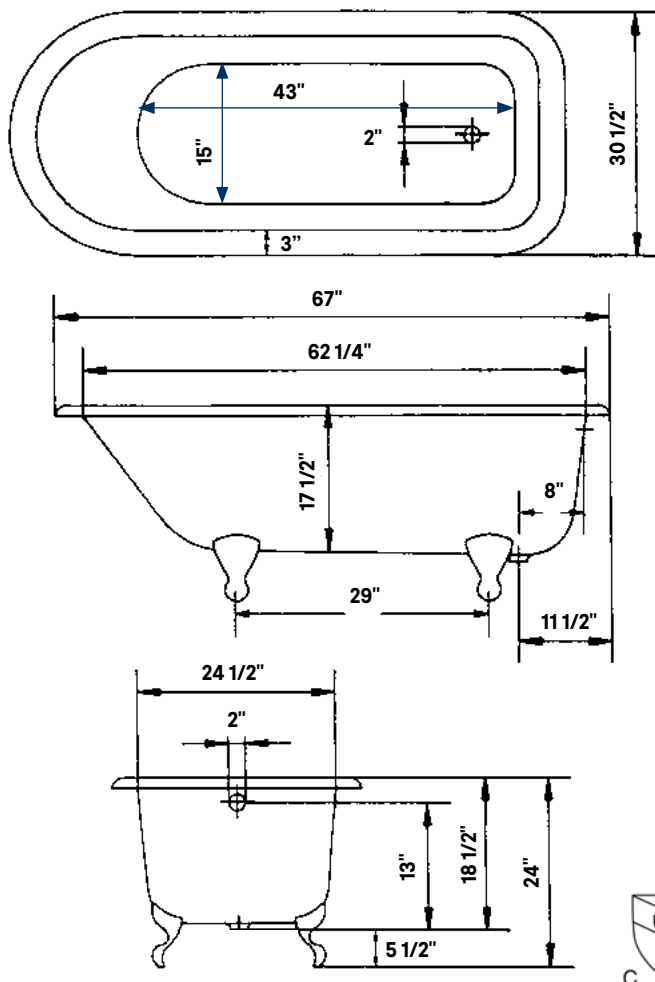
Cheviot Products' cast iron bathtubs are hand-made in Europe with the finest materials. Fired with a thick coating of AA grade titanium-based enamel for unparalleled hardness and non-porosity, the extremely durable surface is easy to clean and resistant to stains, bacteria and other microbes. Cast iron also keeps your bath warm for the longest possible time.

**Rim Configuration**  
Continuous Rolled Rim

**Colours**  
White Interior & Exterior  
White Interior & Custom  
Colour Exterior

**Feet**  
Available in Brass, Chrome,  
Brushed Nickel, Polished Nickel,  
Antique Bronze and White

**Note**  
Rough-in dimensions may vary +/-  
1/2" and are subject to change.  
No responsibility is assumed by  
Cheviot Products Inc.  
One Year Limited  
Warranty against  
manufacturer's defects.



### Related Products



#5115LEV Tub Filler  
with Hand Shower



#5100 Tub Filler  
with Hand Shower



#3970 Heavy Duty  
Water Supply Lines



#2222 Waste &  
Overflow



#2107 Shown

## Traditional Cast Iron Bath

**#2093 | 54" L x 30" W x 24" H**  
230 lbs, 46 Gallons

Cheviot Products' cast iron bathtubs are hand-made in Europe with the finest materials. Fired with a thick coating of AA grade titanium-based enamel for unparalleled hardness and non-porosity, the extremely durable surface is easy to clean and resistant to stains, bacteria and other microbes. Cast iron also keeps your bath warm for the longest possible time.

### Rim Configuration

Flat Area for Faucet Holes.  
Please specify c.c. measurement

### Colours

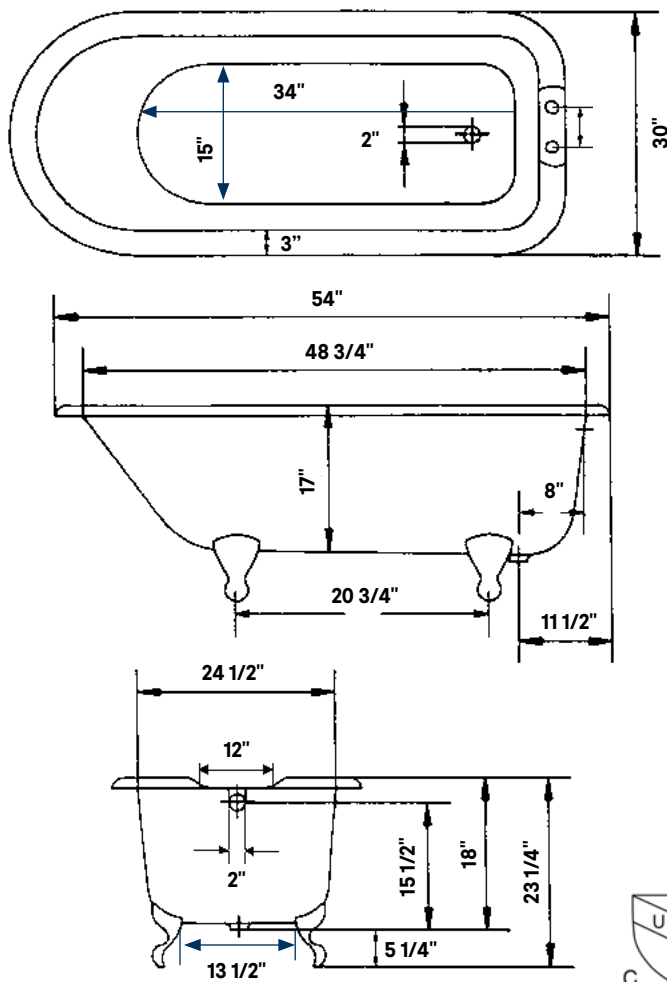
White Interior & Exterior  
White Interior & Custom  
Colour Exterior

### Feet

Available in Brass, Chrome,  
Brushed Nickel, Polished Nickel,  
Antique Bronze and White

### Note

Rough-in dimensions may vary +/-  
1/2" and are subject to change.  
No responsibility is assumed by  
Cheviot Products Inc.  
One Year Limited  
Warranty against  
manufacturer's defects.



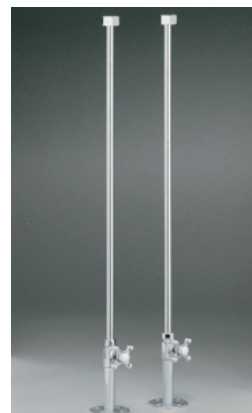
### Related Products



**#5127 Tub Filler**  
with Hand Shower



**#5106 Tub Filler**  
with Hand Shower



**#3411 Water**  
Supply Lines



**#2222 Waste &**  
Overflow



#2107 Shown

## Traditional Cast Iron Bath

#2105 | 61"L x 30"W x 24"H  
275 lbs, 53 Gallons

Cheviot Products' cast iron bathtubs are hand-made in Europe with the finest materials. Fired with a thick coating of AA grade titanium-based enamel for unparalleled hardness and non-porosity, the extremely durable surface is easy to clean and resistant to stains, bacteria and other microbes. Cast iron also keeps your bath warm for the longest possible time.

### Rim Configuration

Flat Area for Faucet Holes.  
Please specify c.c. measurement

### Colours

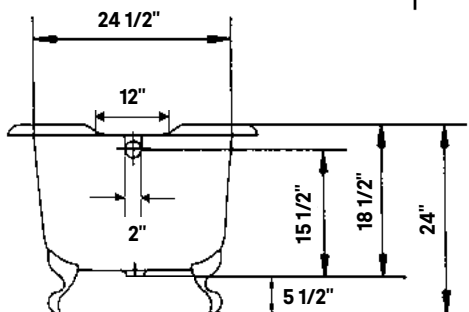
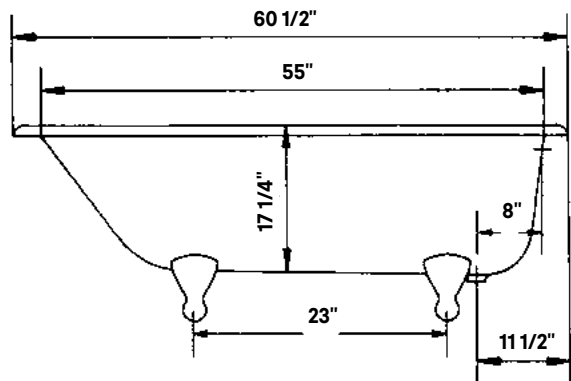
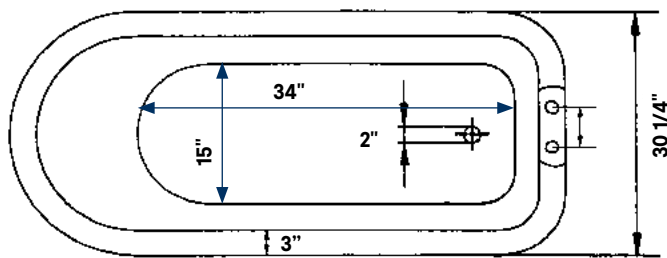
White Interior & Exterior  
White Interior & Custom  
Colour Exterior

### Feet

Available in Brass, Chrome,  
Brushed Nickel, Polished Nickel,  
Antique Bronze and White

### Note

Rough-in dimensions may vary +/-  
1/2" and are subject to change.  
No responsibility is assumed by  
Cheviot Products Inc.  
One Year Limited  
Warranty against  
manufacturer's defects.



### Related Products



#5127 Tub Filler  
with Hand Shower



#5106 Tub Filler  
with Hand Shower



#3411 Water  
Supply Lines



#2222 Waste &  
Overflow





#2107 Shown

## Traditional Cast Iron Bath

#2107 | 68" L x 30" W x 24" H  
310 lbs, 59.5 Gallons

Cheviot Products' cast iron bathtubs are hand-made in Europe with the finest materials. Fired with a thick coating of AA grade titanium-based enamel for unparalleled hardness and non-porosity, the extremely durable surface is easy to clean and resistant to stains, bacteria and other microbes. Cast iron also keeps your bath warm for the longest possible time.

### Rim Configuration

Flat Area for Faucet Holes.  
Please specify c.c. measurement

### Colours

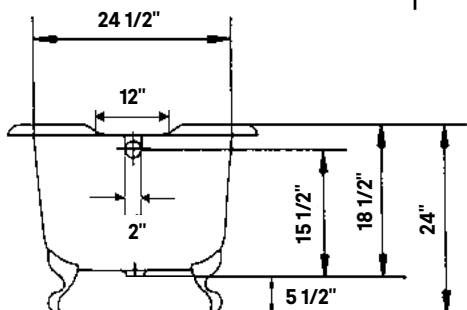
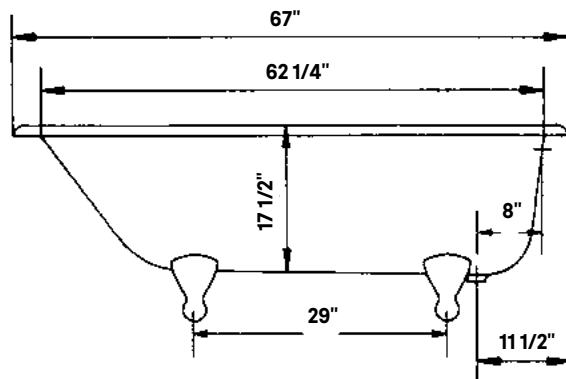
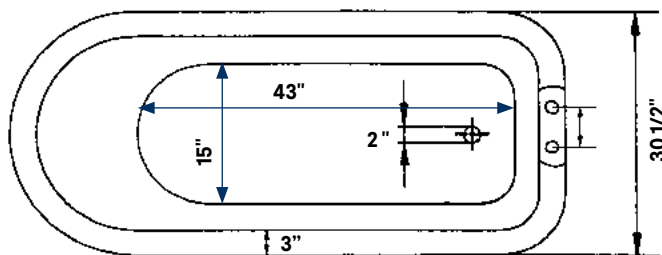
White Interior & Exterior  
White Interior & Custom  
Colour Exterior

### Feet

Available in Brass, Chrome,  
Brushed Nickel, Polished Nickel,  
Antique Bronze and White

### Note

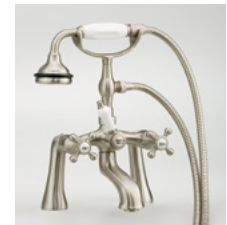
Rough-in dimensions may vary +/-  
1/2" and are subject to change.  
No responsibility is assumed by  
Cheviot Products Inc.  
One Year Limited  
Warranty against  
manufacturer's defects.



## Related Products



#5127 Tub Filler  
with Hand Shower



#5106 Tub Filler  
with Hand Shower



#3411 Water  
Supply Lines



#2222 Waste &  
Overflow