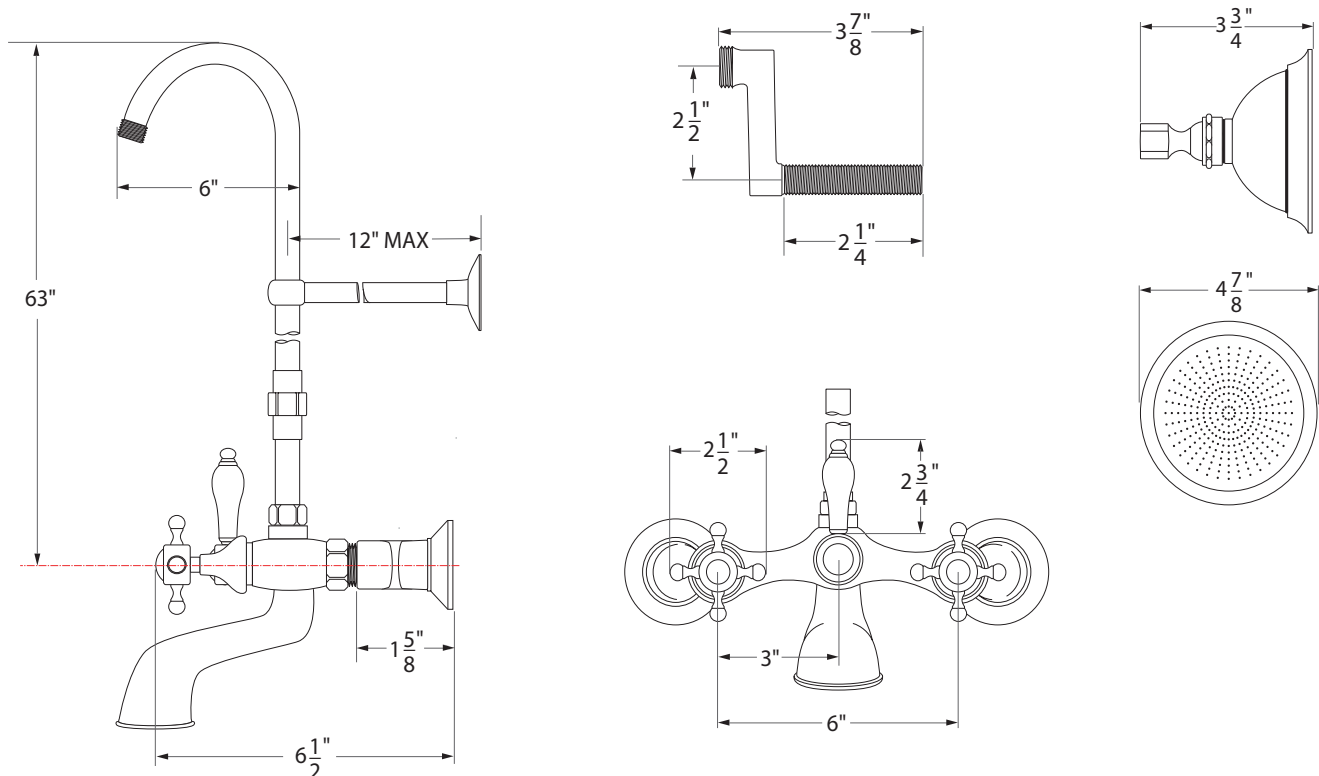


Model #5182

INSTRUCTIONS



1. Attach the S-Union to the tub or wall with flat metal washer and 1/2" lock nut. Make sure that the escutcheon is tight against S-Union arm [hand tighten only].
2. Attach faucet to S-Unions [3/4" rubber washers must be installed] and adjust faucet so that it sits level. Now tighten faucet nuts and then 1/2" lock nuts on the back of the S-Unions. [Use a cloth between the wrench and any finished part of the faucet to prevent any damage].
3. Next connect the water supply lines. Must have hot going to hot side & cold to the cold side. If using 1/2" OD decorative supply line connect the hex nuts at the top of the supply lines to the back of the S-Unions. If installing inside the wall use copper fittings.
4. Attach the lower part of the shower riser tube to the top of the faucet body using silicone tape & rubber washer provided. Next slide the wall support ring on to the upper portion of the riser and attach to bottom tube. Make sure that the rubber gasket is inside the coupling nut and position the curve part of tube such that it is facing down in tub. Adjust wall support ring to desired height and tighten set screw. Attach wall rod [cut non-threaded end for desired length]. Shower riser tube should be parallel to the wall.
5. Once installed, remove aerator and flush faucet and lines. This will remove any debris that may be trapped. Then attach shower head and aerator.



Care & Maintenance

Minimum Maintenance is required to maintain product finish. With proper maintenance your CHEVIOT Faucet will continually look like new. Special care should be taken when cleaning your faucet and the following suggestions should help extend your faucet life.

- a) Cleaning should be done regularly using a soft cotton cloth and warm water, then towel dry.
- b) Do not use cleaners that contain abrasives or harsh chemicals; Care should be taken in selecting cleaning supplies. Many cleaners contain detergents, ammonia, or other corrosive solvents that could damage your faucet finish.
- c) Occasionally clean with a non-abrasive wax polish.

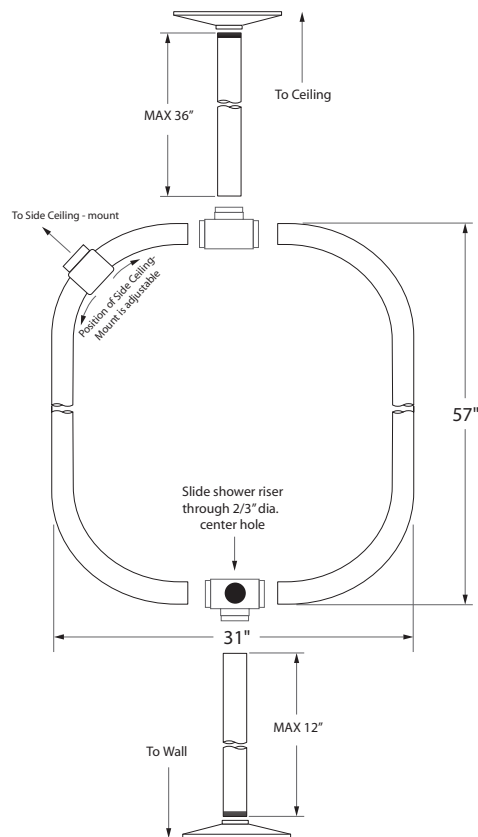


Model #5182

INSTRUCTIONS



1. Slide the 4 way connector on to existing upriser. (use larger hole in the center of the 4 way connector)
2. Position 4 way connector at desired height for curtain rod. Cut non-threaded end of wall support rod to desired length equal to the distance between the wall and the upriser tube. Mount the flange on the wall using the mounting hardware and screw the support rod into the flange.
3. Next, fit the support rod into the back side of the 4 way connector and tighten set screw.
4. Attach both ends of the curtain rod into the opposing sides of the 4 way connector and tighten set screws.
5. Before connecting ceiling mount T-connector in far end of curtain rod, be sure to slide the bracket for the 2nd ceiling mount onto the curtain rod. Make sure to place curtain in desired position before closing off the curtain rod. Next, connect both ends of the curtain rod to the ceiling mount T-connector and tighten set screws.
6. Finally cut both Ceiling mount rods to correct length. Mount the ceiling flanges in desired position and screw threaded end of the mounting rods into each flange. Position Curtain rod properly and raise the curtain rod up until the brackets fit onto the mounting rods, and tighten the set screws. [Tighten the opposing end to the wall first so that the weight will be supported when switching to the side mount]



Care & Maintenance

Minimum Maintenance is required to maintain product finish. With proper maintenance your CHEVIOT Faucet will continually look like new. Special care should be taken when cleaning your faucet and the following suggestions should help extend your faucet life.

- a) Cleaning should be done regularly using a soft cotton cloth and warm water, then towel dry.
- b) Do not use cleaners that contain abrasives or harsh chemicals; Care should be taken in selecting cleaning supplies. Many cleaners contain detergents, ammonia, or other corrosive solvents that could damage your faucet finish.
- c) occasionally clean with a non-abrasive wax polish.

