



Essex Console Lavatory

#553/575 | 24" x 18" x 36 1/2" Max

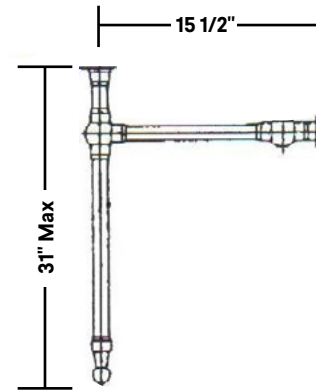
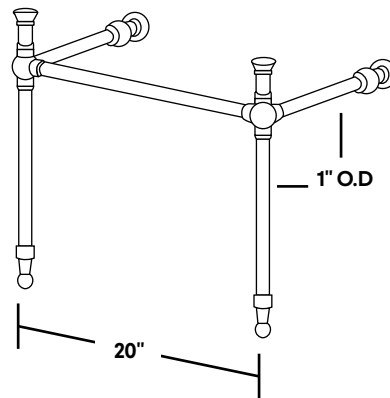
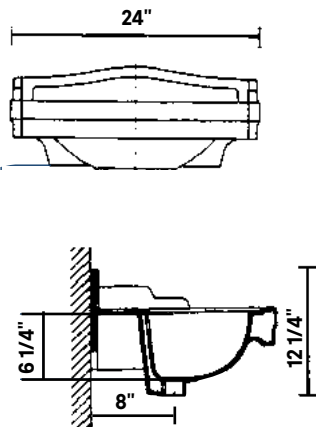
Cheviot Products' vitreous china lavatories are finely crafted for outstanding beauty and practicality. Fired onto each sink is a fine glaze of powdered glass to ensure a lifetime of durability, ease of cleaning, and resistance to bacteria and other microbes.

Colours
White

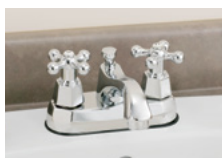
Drillings
Single hole, 4" and 8" drilling

Console Finishes
Antique Bronze, Brushed Nickel, Chrome, and Polished Nickel.

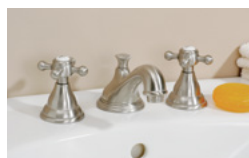
Note
Rough-in dimensions may vary +/- 1/2" and are subject to change.
No responsibility is assumed by Cheviot Products Inc.
One Year Limited Warranty against manufacturer's defects.



Related Products



#5236 4" Centreset
Lavatory Faucet



#5220 Widespread
Lavatory Faucet



#5289 Seine Single Hole
Lavatory Faucet



#5291 Thames Single
Hole Lavatory Faucet

INSTALLATION INSTRUCTIONS 575 | Solid Brass Console Stand

What's included in the box:

- 2 x Rod A – 31"
- 1 x Rod B – 22"
- 2 x Rod C – 17"
- 2 x 4-way Connectors with Set Screws
- 2 x Console Feet
- 2 x Wall Mounting Brackets
- 2 x Console Feet Screws
- 4 x Wall Mounting Bracket Screws
- 4 x Drywall Anchors
- 1 x Allen Key



Notes:

1. Two people are required to install the console.

Installation:

1. Use a pipe cutter to cut the console rods to the desired lengths according to the Cheviot Products sink you will be using in the table below.

Sink Model	Rod A	Rod B	Rod C
350/22 ANTIQUE	31"*	18"	13"
350/28 ANTIQUE	31"*	22"	14"
511/25 MAYFAIR	31"*	20"	17"
553 ESSEX	31"*	20"	15 ½"
1230/19 NUOVELLA	31"*	16 ¾"	17"
1230/23 NUOVELLA	31"*	20 ¼"	17"
1232 NUO	31"*	16"	15"
1234 NUO	31"*	19 ¾"	15"

*Rod A may be left at 31" or may be shortened according to the desired final height of the console lavatory.

2. Assemble the console by threading Rod A through the 4-way connector. Repeat for the opposite leg. Connect Rod B to the 4-way connectors on both ends. This forms the horizontal bar across the front of the console. Connect Rod C to the Wall Mounting Bracket on one end and to the remaining opening in the 4-way

Cheviot

PRODUCTS INC

- connector on the other end. Repeat for the opposite leg. This will form the horizontal bars on the sides of the sink leading to the wall. Mount the Console Feet to the ends of Rod A that do not have plastic stoppers. Secure all connections with the Set Screws and Allen Key provided.
3. One person should hold the sink being used in the desired position and at the desired height.
 4. A second person should slide the console stand under the positioned sink. If the stand is too tall, adjust the height by cutting Rod A as necessary. Also confirm that the horizontal support rods are at the desired height.
 5. The second person should use a pencil to mark the screw positions on the wall at the mounting brackets. They should also mark the center positions of the console feet on the floor. The sink and console stand can then be moved away from the wall.
 6. Drill mounting holes in the wall and floor as marked. Insert provided Drywall Anchors into the holes drilled in the wall.
 7. Screw the Console Feet Screws into the holes drilled in the floor. Remove the Console Feet from the assembled console stand and thread them onto the Console Feet Screws.
 8. Mount the console stand back onto the console feet and secure with the provided Set Screws. The console stand should now be in installation position.
 9. Secure the Wall Brackets to the wall using the screws provided.
 10. Mount the sink to the wall according to the instructions provided with that product.