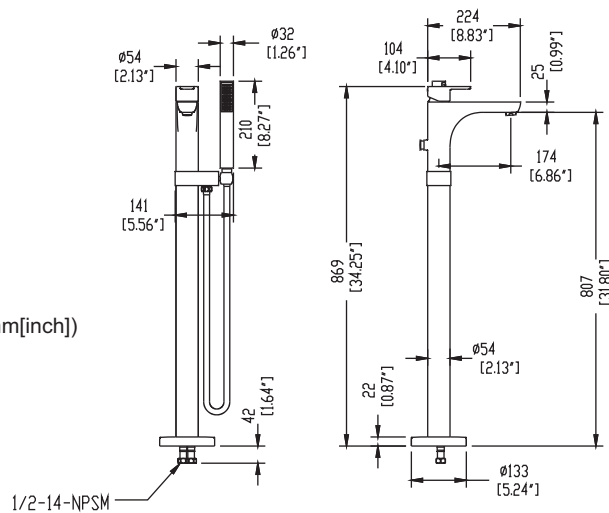


Model # 7500 FREE STANDING ROMAN TUB FILLER



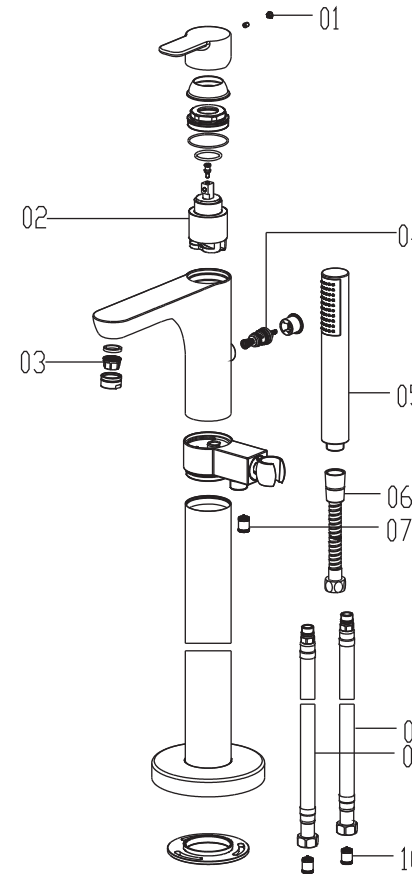
DIMENSIONS



■ For Reference only (unit = mm[inch])

EXPLODED DRAWING

Please read the followings before installing and usage.



NO.	Description	Part No.	Qty
01	CAP	CTCP0072	1
02	CARTRIDGE	ATBA0260	1
03	FLOW REGULATOR	CTQP0054	1
04	DIVERTER	ATBA0221	1
05	SHOWER	ATBE0121	1
06	HOSE	ATBP0412	1
07	CHECKSTOP	ATBA4027	1
08	HOSE(COLD)	ATBP0460-2D	1
09	HOSE(HOT)	ATBP0460-2R	1
10	CHECKSTOP	ATBA0243	1

TECHNICAL DETAILS

Please read the followings before installing and usage.

1 Description

- Metal handle
- Solid brass construction
- Ceramic disc Cartridge
- Plastic shower head

3 Certificate



2 Technique Parameter

Parameter	Water Pressure	Water Temperature
Market		
ASME A112.18.1/ CSA B125.1	20-80PSI	10-65°C

4 Surface maintenance

Remove any surface dirt and film using clean water and cotton cloth. Spray cleaner such as mild liquid detergents, clear liquid glass cleaner, non-acidic and fully dissolved powder cleaners or non-abrasive liquid polishes on the rag to clean the faucet surface.

Once clean, rinse faucet again with clear water to thoroughly remove cleaner and dry with soft cotton cloth.

■ Notes: For reference only. We reserve the right to make changes without any notice.

