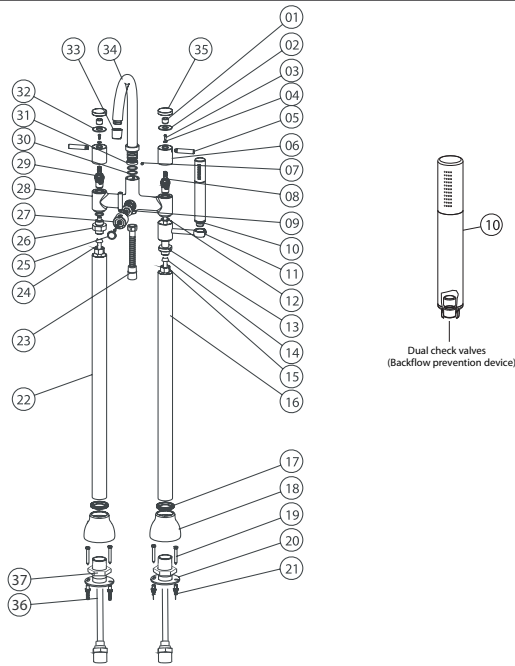


7565



Component Parts List

#	PART NAME	QTY	#	PART NAME	QTY
01	BOLT	2	21	ANCHOR	4
02	INDEX RING (COLD)	1	22	CONNECTING PIPE	1
03	SCREW	3	23	HOSE	1
04	O-RING	3	24	INLET	2
05	HANDLE LEVER	3	25	INDEX	1
06	HANDLE	2	26	BOLT I	2
07	SCREW	1	27	HANDLE	2
08	CARTRIDGE	1	28	BODY	1
09	DIVERTER	1	29	CARTRIDGE	1
10	HAND SHOWER	1	30	O-RING	2
11	HAND SHOWER HOLDER	1	31	SNAP RING	1
12	O-RING	2	32	INDEX RING (HOT)	1
13	BOLT II	1	33	AERATOR HOUSING	2
14	PLUG	2	34	SPOUT	1
15	LOCK NUT	2	35	END CAP	2
16	CONNECTING PIPE	2	36	INLET TUBE	2
17	WASHER	2	37	LOCK NUT	2
18	ESCUTCHEON	2			
19	SCREW	4			
20	BASE SEAT	2			



Tel : (800) 444-5969

www.cheviotproducts.com



Installation Instructions

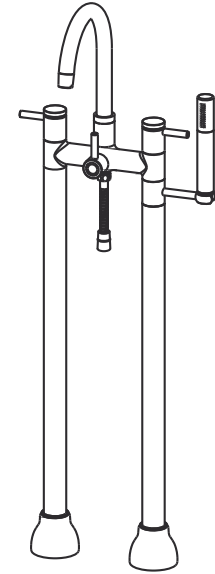
MODEL #7565 CONTEMPORARY TUB FILLER AND FREE STANDING WATER SUPPLY LINES

Before Your Installation

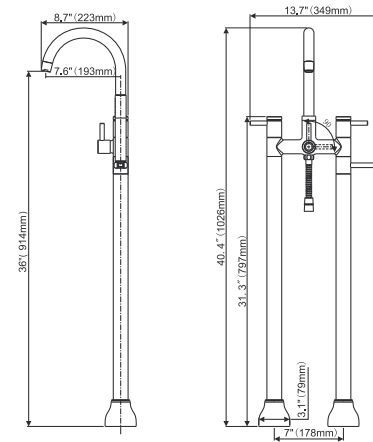
- Read all instructions carefully.
- Assemble all tools.
- Turn off main water supply before removing old faucet and fixtures.
- Clean surface before installing new faucet.
- Insert a cloth or stopper into drain to prevent small parts from getting lost.

Tips for Successful Installations

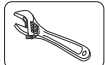
- Use joint compound or Teflon® tape on all threaded connections to prevent leaks.
- Use a soft cloth to protect the faucets finish when using a wrench, pliers or other tools that could scratch the faucet.
- Tighten all hose connections by hand. Do not over tighten.
- Before turning main water supply back on, open several faucets around the house to prevent pressure from building up.
- Remove aerator from faucet before turning on water. Flush drain for several minutes before replacing aerator. DO NOT use joint compound or Teflon® tape to reconnect aerator.



Specification Sheet



Installation Instructions



Adjustable Wrench



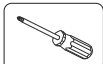
Pipe Tape



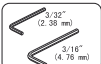
Groove joint plier



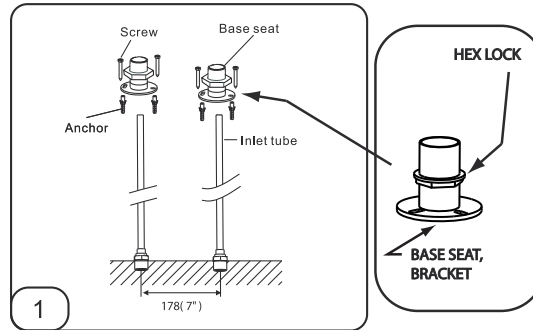
Plumber's putty



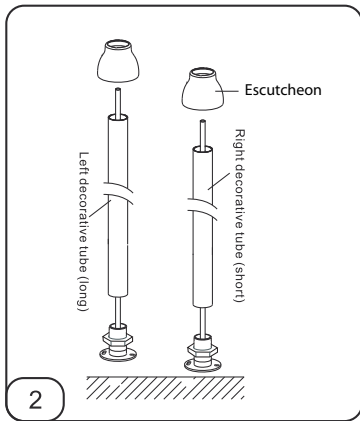
Phillips screwdriver



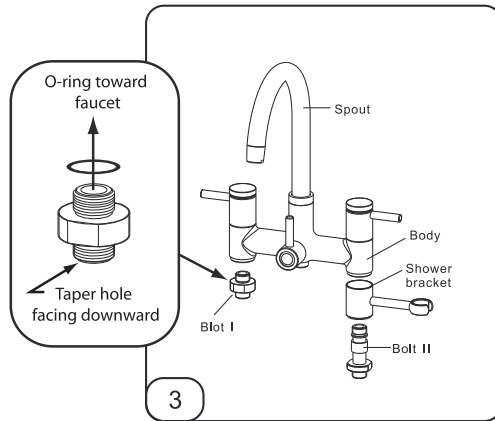
Allen Wrench



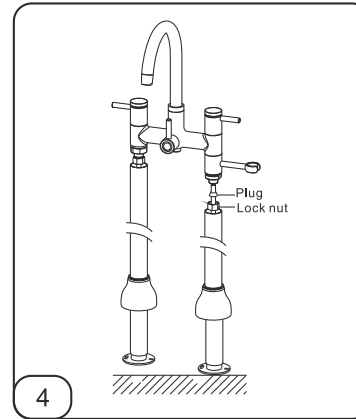
1. How to install inlet tubes
Install inlet tube on the desired location and then install the base seat on the floor through the inlet tube. Appropriately adjust the base seat to let it be concentric with the inlet tube.



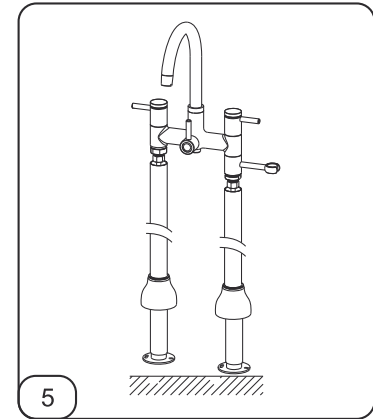
2. How to install decorative tubes
Install the long thread face downward, separately turn left and right decorative tubes to the base seats as low as possible but not too tight. Put the escutcheons through the decorative tubes but not down to the floor with a washer clipped in the top of the escutcheon. (If it is too tight, please add some water or soap water to lubricate).



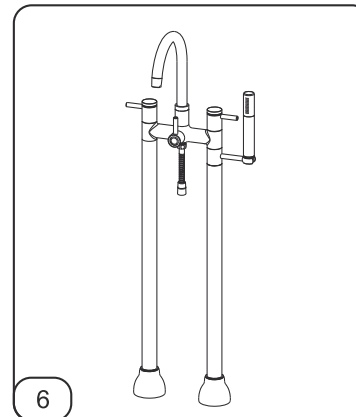
3. How to install bolts
Install the bolt I on the left side of the body with an O-ring in for seal and the taper hole facing downward. Slide the shower supporter into the bolt II and tighten up the lock bolt to the right side of the body with an O-ring in for seal and the taper hole facing downward ensuring the shower supporter is positioned correctly.



4. How to install body
Separately slide the lock nuts and plugs into the two inlet tubes ensuring the lock nut not be dropped into the decorative tube. Need another person to hold the body assembly and tighten the lock nuts to the body with the plugs in. Press the body downward along the inlet tubes until the lock nuts are in contact with the decorative tube. Tighten up the mounting nuts by wrench to ensure the taper plugs seal well.



5. How to connect decorative tubes & body
Separately turn the left and right decorative tubes on the bolts until they are in contact with the body and the shower bracket. Press the covers down until they cover the base seats.



6. Connect the shower to the body with hose.