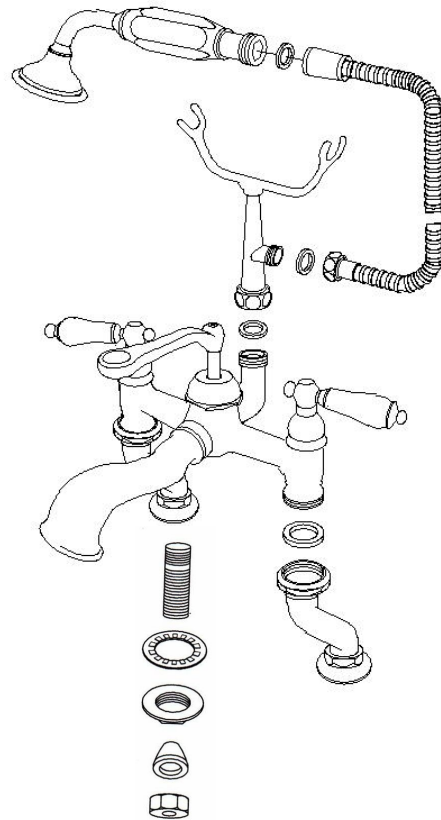




## Model # 6012

### INSTRUCTIONS

1. Thread the faucet body and pillars together and tighten with a wrench. Be very careful not to damage the finish of the faucet.
2. Apply tape or putty to both ends of the hot and cold supply nipples. Thread the supply nipples into the pillars and secure the faucet to the rim of the bathtub using the large lock nuts.
3. Install a washer in the cradle nut and thread the cradle onto the faucet body. Tighten with a wrench. Be very careful not to damage the finish of the faucet.
4. Install washers in each end of the hose and attach the hose to the cradle and shower head. Be careful not to over tighten.
5. Connect the water supply nipples to the water supply lines.
6. Allow hot and cold water to run for one minute each. Check for leaks, especially at the connection to the supply lines and at both ends of the pillars.



### CARE AND MAINTENANCE

Minimum Maintenance is required to maintain product finish. With proper maintenance your CHEVIOT Faucet will continually look like new. Special care should be taken when cleaning your faucet and the following suggestions should help extend your faucet life.

- a) Cleaning should be done regularly using a soft cotton cloth and warm water, then towel dry.
- b) Do not use cleaners that contain abrasives or harsh chemicals; Care should be taken in selecting cleaning supplies. Many cleaners contain detergents, ammonia, or other corrosive solvents that could damage your faucet finish.
- c) occasionally clean with a non-abrasive wax polish.

