



Marco Solid Surface Bathtub

#4100 | 67" L x 29 1/2" W x 21 3/4" H
342 lbs, 79 gallons

Cheviot Products' solid surface bathtubs are hand-formed, using the latest generation of composite resin materials. Warm to the touch and possessing superior insulation properties, these bathtubs are ideal for those who prefer a long, hot soak. Inherently harder and stronger than acrylic, solid surface bathtubs are also impervious to creaking and flexing. Polished by hand to a glossy sheen, the material is stain resistant and easy to clean and maintain.

Rim Configuration

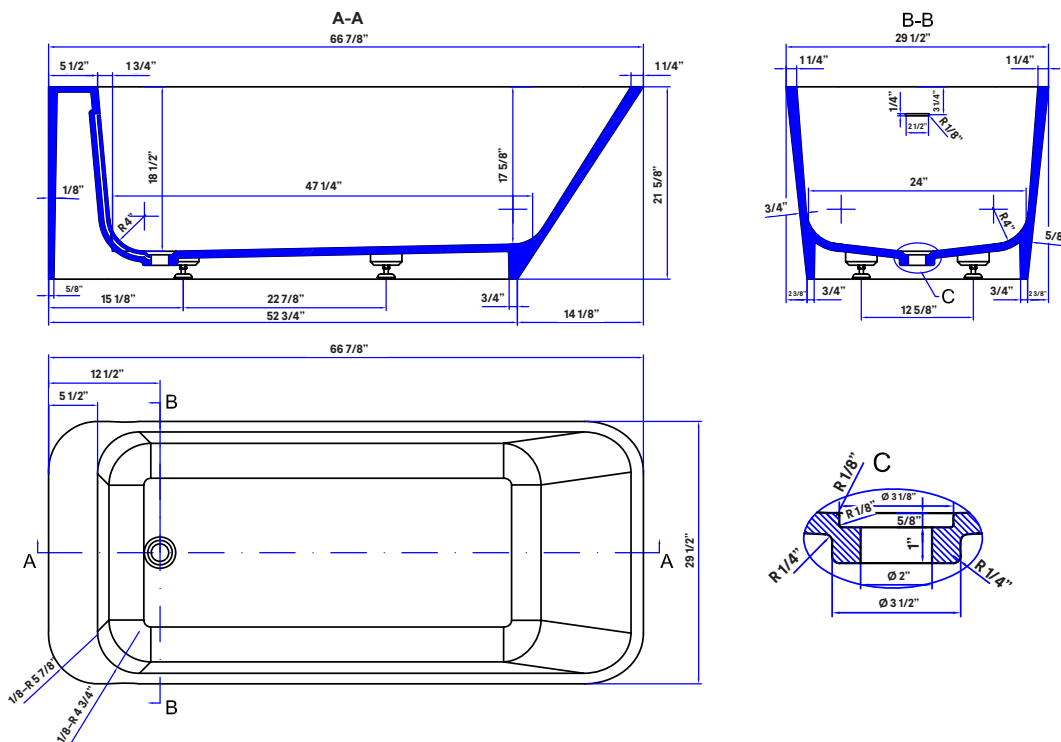
Flat Area for Faucet holes.
Please specify c.c. measurement.

Colours

Gloss White

Note

Rough-in dimensions may vary +/- 1/2" and are subject to change.
No responsibility is assumed by Cheviot Products Inc.
One Year Limited Warranty against manufacturer's defects.



Related Products



#7560 Square Free Standing Tub Filler with Hand Shower



#7500 Express Free Standing Tub Filler with Hand Shower



#7550 Contemporary Free Standing Tub Filler with Hand Shower



#7512 Contemporary Rim Mount Tub Filler with Hand Shower